

1996 2A-1A

<CHAMPIONSHIP BRACKET - 103>

QUARTER-FINALS

SEMI-FINALS

FINALS

J. ARROWOOD-BLU

J. ARROWOOD-BLU

P:59 <01>

BOBBY HART-BIS

P:146 <07>

J. ARROWOOD-BLU

PHILLIP RUSS-NS

PHILLIP RUSS-NS

P:446 <02>

RAUL MOTA-SHS

P:319 <12>

J. ARROWOOD-B

BRANDON CLAY-W-

BRANDON CLAY-W-

P:157 <03>

BUCK BICKLEY-CH

P:52 <08>

BRANDON CLAY-W-

JOHN MONTJOY-WO

RAY ROBINSON-NC

P:130 <04>

RAY ROBINSON-NC

<CONSOLATION BRACKET - 103>

QUARTER
FINALS

SEMI
FINALS

CONSOLATION
FINALS

BOBBY HART-BIS

RAUL MOTA-SHS

P:228 <05>

RAUL MOTA-SHS

RAY ROBINSON-NC

P:238 <09>

RAY ROBINSON-NC

P:56 <11>

RAY ROBINSON-

PHILLIP RUSS-NS

BUCK BICKLEY-CH

D:9-6 <10>

BUCK BICKLEY-CH

PHILLIP RUSS-NS

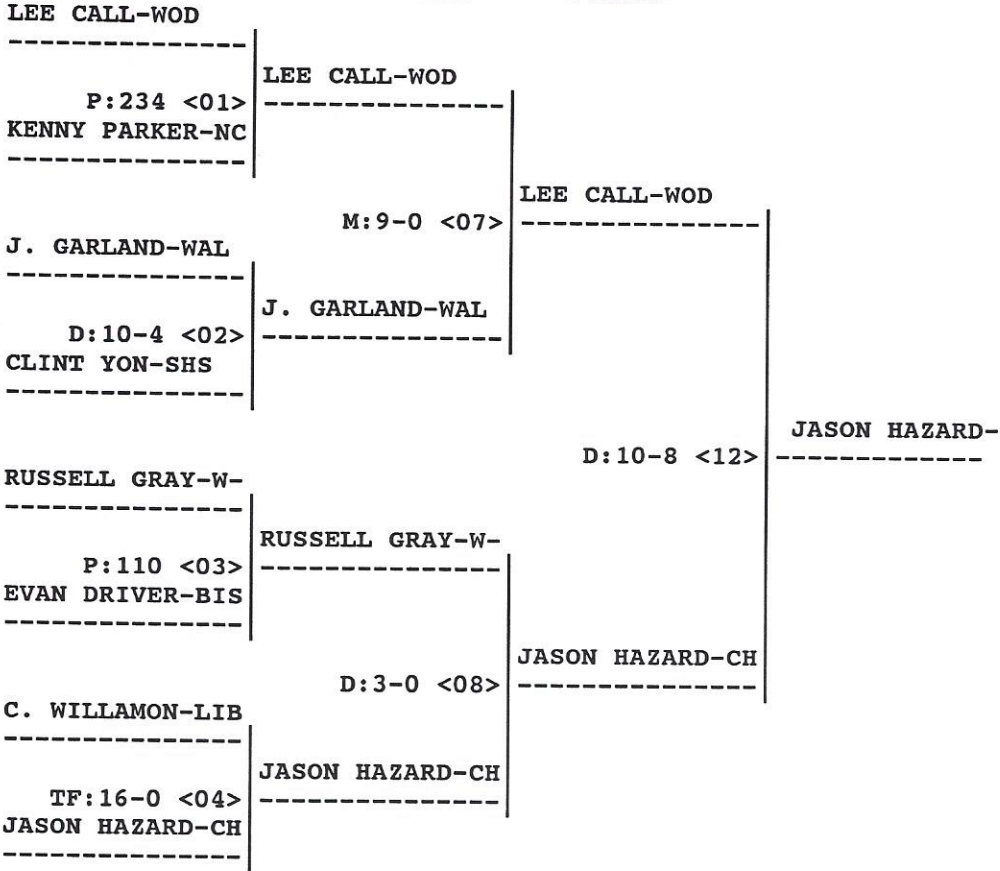
D:6-3 <06>

JOHN MONTJOY-WO

<CHAMPIONSHIP BRACKET - 112>

=====

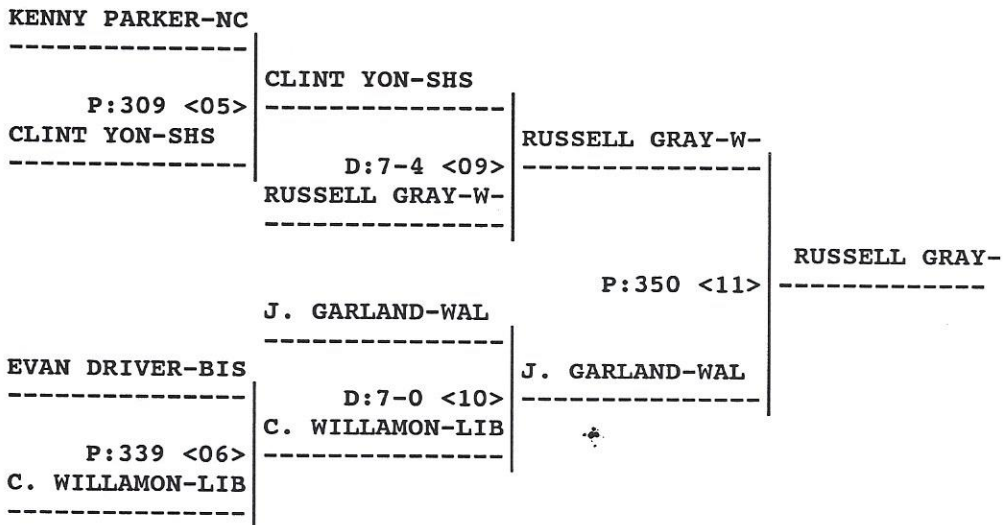
QUARTER-FINALS SEMI-FINALS FINALS



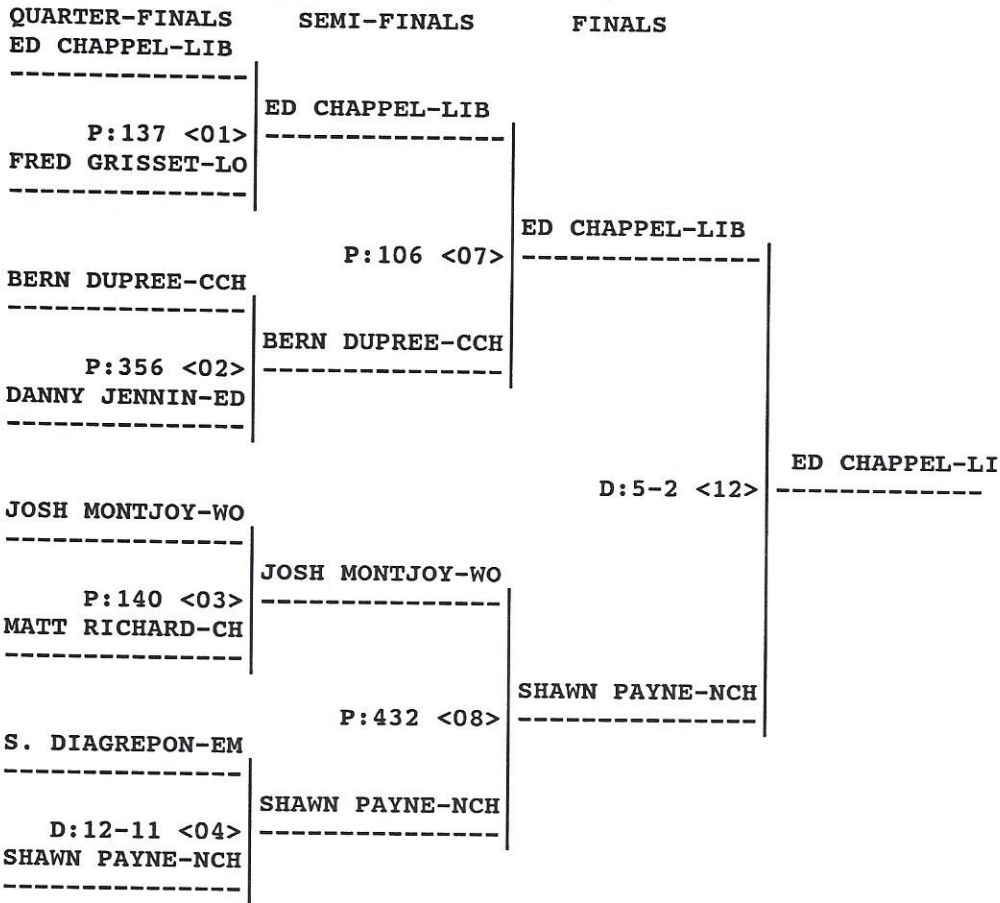
<CONSOLATION BRACKET - 112>

=====

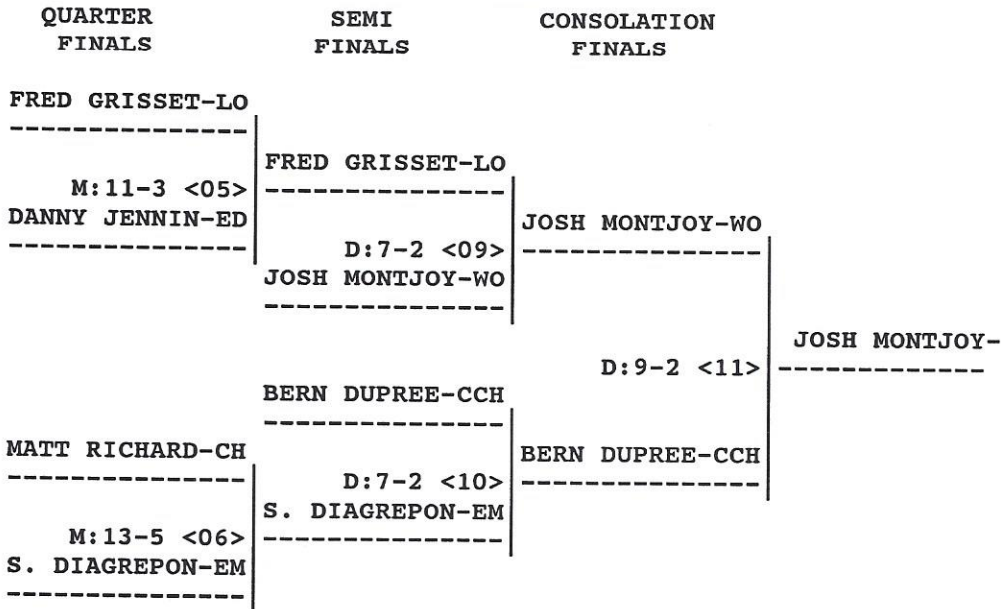
QUARTER FINALS SEMI FINALS CONSOLATION FINALS



<CHAMPIONSHIP BRACKET - 119>



<CONSOLATION BRACKET - 119>



<CHAMPIONSHIP BRACKET - 125>

QUARTER-FINALS	SEMI-FINALS	FINALS
BO CHANDLER-LIB		

P:158 <01>	BO CHANDLER-LIB	
A. MILLHOUSE-BA	-----	

JOSH DURHAM-W-O	M:8-0 <07>	BO CHANDLER-LIB
-----		-----
P:324 <02>	JOSH DURHAM-W-O	
CHUCK POLSTO-BU	-----	

B. TIDWELL-WAL		D:4-0 <12>
-----		-----
P:107 <03>	B. TIDWELL-WAL	
JEFF CALAFIO-HH	-----	

B. UNDERWOOD-BL	P:138 <08>	B. TIDWELL-WAL
-----		-----
D:11-6 <04>	B. UNDERWOOD-BL	
C. McFADDEN-CHS	-----	

<CONSOLATION BRACKET - 125>

QUARTER FINALS	SEMI FINALS	CONSOLATION FINALS
A. MILLHOUSE-BA		

D:11-10 <05>	CHUCK POLSTO-BU	
CHUCK POLSTO-BU	-----	

	D:9-4 <09>	B. UNDERWOOD-BL
	B. UNDERWOOD-BL	-----

	JOSH DURHAM-W-O	D:10-8 <11>
	-----	-----
JEFF CALAFIO-HH		C. McFADDEN-CHS
-----		-----
	D:10-8 <10>	
	C. McFADDEN-CHS	

M:11-2 <06>		
C. McFADDEN-CHS		

<CHAMPIONSHIP BRACKET - 130>

QUARTER-FINALS	SEMI-FINALS	FINALS
LAMAR GREEN-BLU		

P:505 <01>	LAMAR GREEN-BLU	
GRANT HUNTER-BU	-----	

T. MAHLER-WOD	M:11-1 <07>	LAMAR GREEN-BLU
-----		-----
D:5-4 <02>	T. MAHLER-WOD	
A. DELPRIORE-CH	-----	

A. SHALLCROS-CC		TF:18-3 <12>
-----		-----
D:13-7 <03>	A. SHALLCROS-CC	CHAD HALLMAN-
B. COCCHIA-HHS	-----	-----

P. PRICE-W-O	D:10-4 <08>	CHAD HALLMAN-SH
-----		-----
D:13-6 <04>	CHAD HALLMAN-SH	
CHAD HALLMAN-SH	-----	

<CONSOLATION BRACKET - 130>

QUARTER-FINALS	SEMI-FINALS	CONSOLATION-FINALS
GRANT HUNTER-BU		

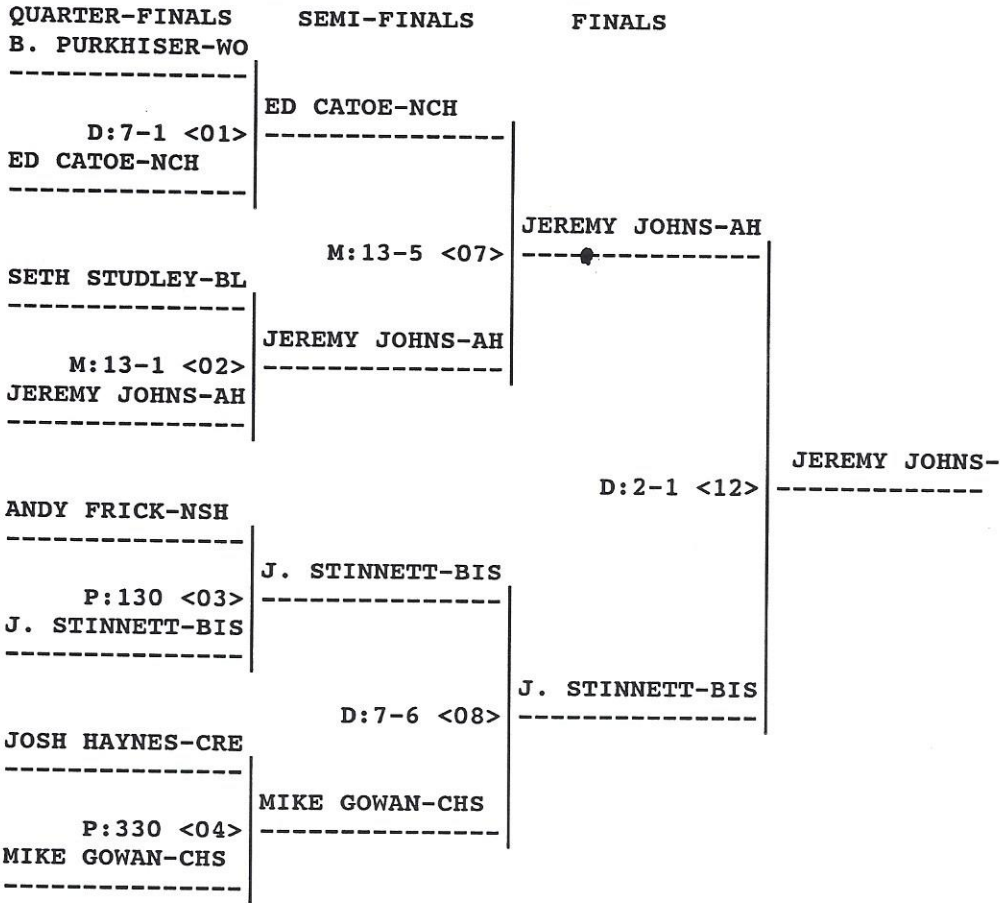
F:0.00 <05>	A. DELPRIORE-CH	
A. DELPRIORE-CH	-----	A. SHALLCROS-CC
-----		-----
	P:142 <09>	
	A. SHALLCROS-CC	

		P:239 <11>

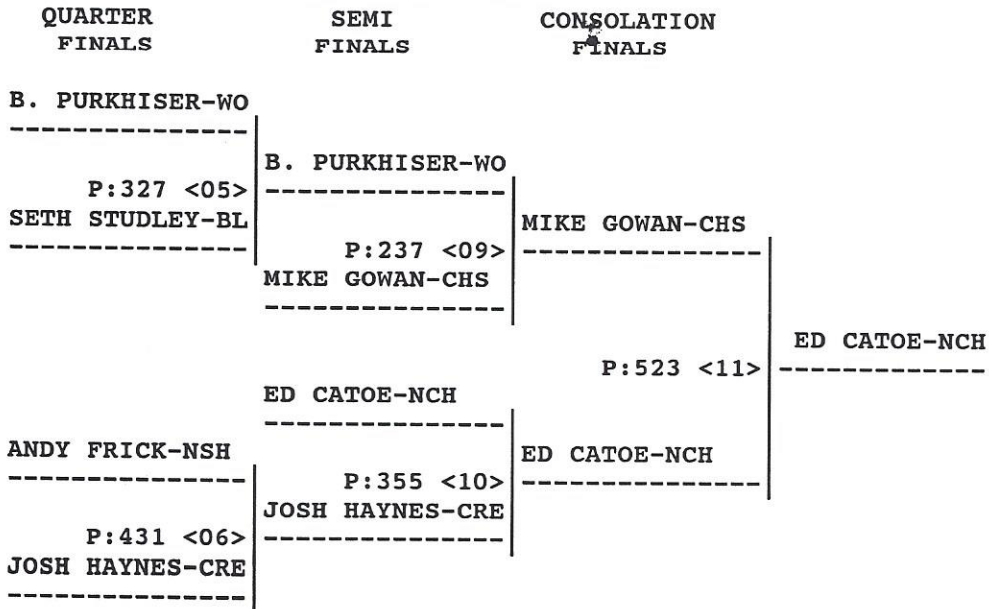
	T. MAHLER-WOD	

B. COCCHIA-HHS	M:11-2 <10>	P. PRICE-W-O
-----		-----
P:435 <06>	P. PRICE-W-O	
P. PRICE-W-O	-----	

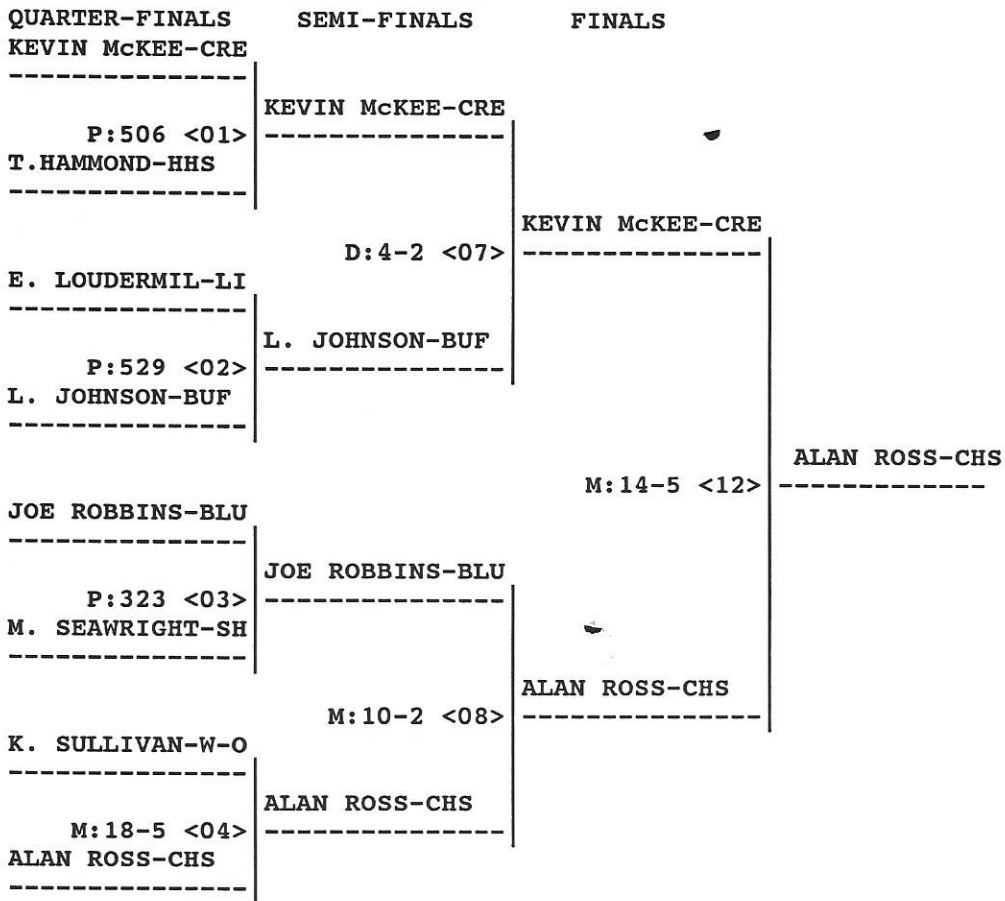
<CHAMPIONSHIP BRACKET - 135>



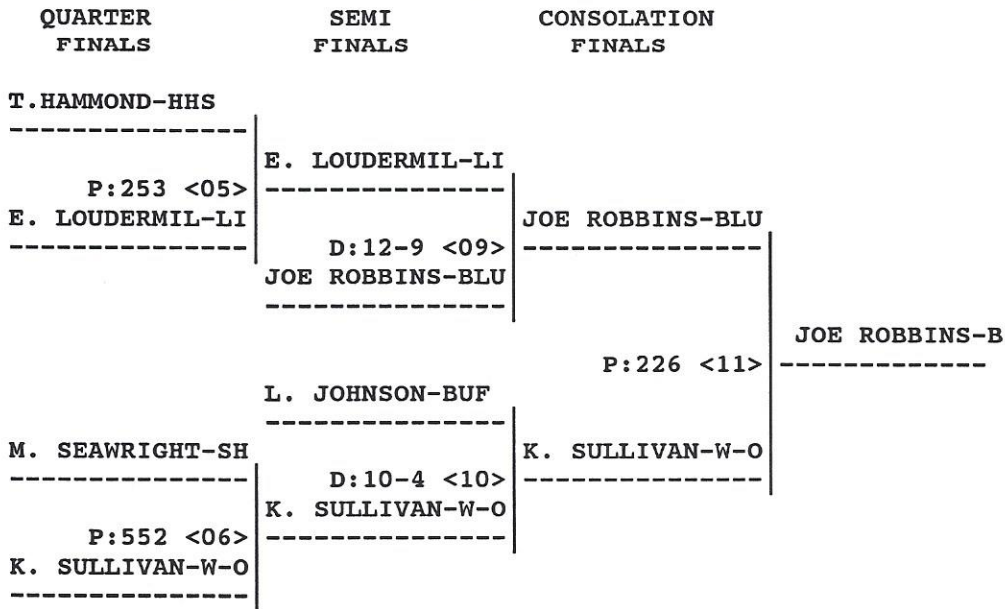
<CONSOLATION BRACKET - 135>



<CHAMPIONSHIP BRACKET - 140>



<CONSOLATION BRACKET - 140>



<CHAMPIONSHIP BRACKET - 145>

QUARTER-FINALS

SEMI-FINALS

FINALS

B. BARKER-WAL

B. BARKER-WAL

P:443 <01>

J. THURMOND-BUF

M:16-4 <07>

J. CHRISTOPH-LA

DAVID COOPER-BI

P:229 <02>

DAVID COOPER-BI

DAVID COOPER-BI

D:8-6 <12>

C. BRYANT-CHS

DICE MASTERS-LI

DICE MASTERS-LI

P:204 <03>

NICK JAMES-AHS

M:16-3 <08>

C. BRYANT-CHS

CHAD STATON-BLU

C. BRYANT-CHS

P:153 <04>

C. BRYANT-CHS

<CONSOLATION BRACKET - 145>

QUARTER
FINALS

SEMI
FINALS

CONSOLATION
FINALS

J. THURMOND-BUF

J. THURMOND-BUF

P:227 <05>

J. CHRISTOPH-LA

M:13-4 <09>

DICE MASTERS-LI

DICE MASTERS-LI

M:15-7 <11>

B. BARKER-WAL

B. BARKER-WAL

NICK JAMES-AHS

D:10-5 <10>

CHAD STATON-BLU

B. BARKER-WAL

P:443 <06>

CHAD STATON-BLU

<CHAMPIONSHIP BRACKET - 152>

QUARTER-FINALS	SEMI-FINALS	FINALS
DWAYNE HUFF-BLU		

P:255 <01>	DWAYNE HUFF-BLU	
JESSE EPTING-CH	-----	

ROBY WOODY-WAL	M:9-0 <07>	DWAYNE HUFF-BLU
-----		-----
P:407 <02>	ROBY WOODY-WAL	
JASON COX-EDH	-----	

MIKE BELL-NSH		D:11-6 <12>
-----		-----
TF:23-7 <03>	MIKE BELL-NSH	
KEVIN PETERS-BA	-----	

A. CALDWELL-LAN	M:23-10 <08>	

TF:19-1 <04>	JOE HOOK-SHS	
JOE HOOK-SHS	-----	

<CONSOLATION BRACKET - 152>

QUARTER FINALS	SEMI FINALS	CONSOLATION FINALS
JESSE EPTING-CH		

P:29 <05>	JESSE EPTING-CH	
JASON COX-EDH	-----	

	M:14-4 <09>	MIKE BELL-NSH
	MIKE BELL-NSH	-----

	ROBY WOODY-WAL	D:7-6 <11>
	-----	-----
KEVIN PETERS-BA	TF:16-0 <10>	
-----	ROBY WOODY-WAL	
P:438 <06>	-----	
A. CALDWELL-LAN	KEVIN PETERS-BA	
-----	-----	

<CHAMPIONSHIP BRACKET - 160>

QUARTER-FINALS
ADAM DUNCAN-W-O

SEMI-FINALS

FINALS

P:48 <01>
DAWSON JONES-BI

ADAM DUNCAN-W-O

P:100 <07>

C. DURANT-WOD

TF:17-2 <02>
MARK DRAKEFO-NC

C. DURANT-WOD

ADAM DUNCAN-W-O

P:111 <12>

ADAM DUNCAN-W

AARON JOSEPH-WA

P:232 <03>
JOHN BLACKMO-BU

AARON JOSEPH-WA

AARON JOSEPH-WA

P:358 <08>

GRAY BOXX-NSH

P:359 <04>
LAMAR HARDY-CHS

LAMAR HARDY-CHS

<CONSOLATION BRACKET - 160>

QUARTER
FINALS

SEMI
FINALS

CONSOLATION
FINALS

DAWSON JONES-BI

D:12-10 <05>
MARK DRAKEFO-NC

MARK DRAKEFO-NC

P:433 <09>

LAMAR HARDY-CHS

LAMAR HARDY-CHS

D:4-3 <11>

LAMAR HARDY-C

C. DURANT-WOD

JOHN BLACKMO-BU

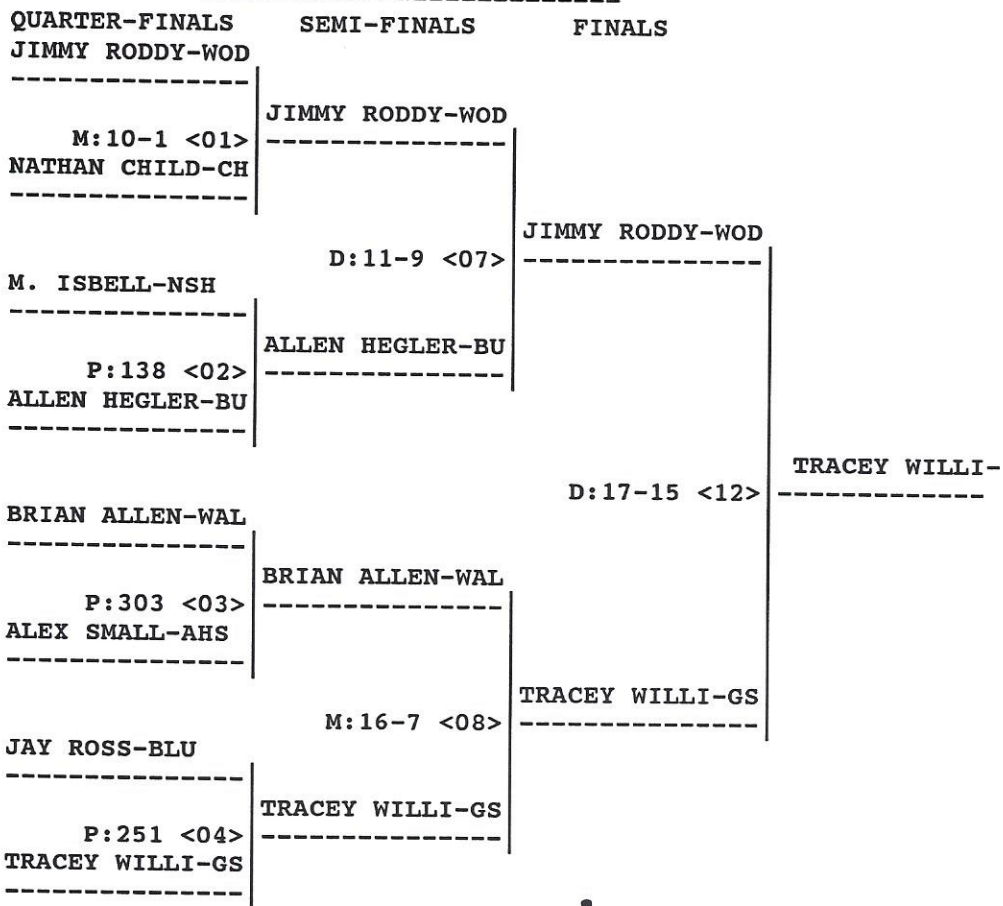
P:552 <06>
GRAY BOXX-NSH

M:13-5 <10>

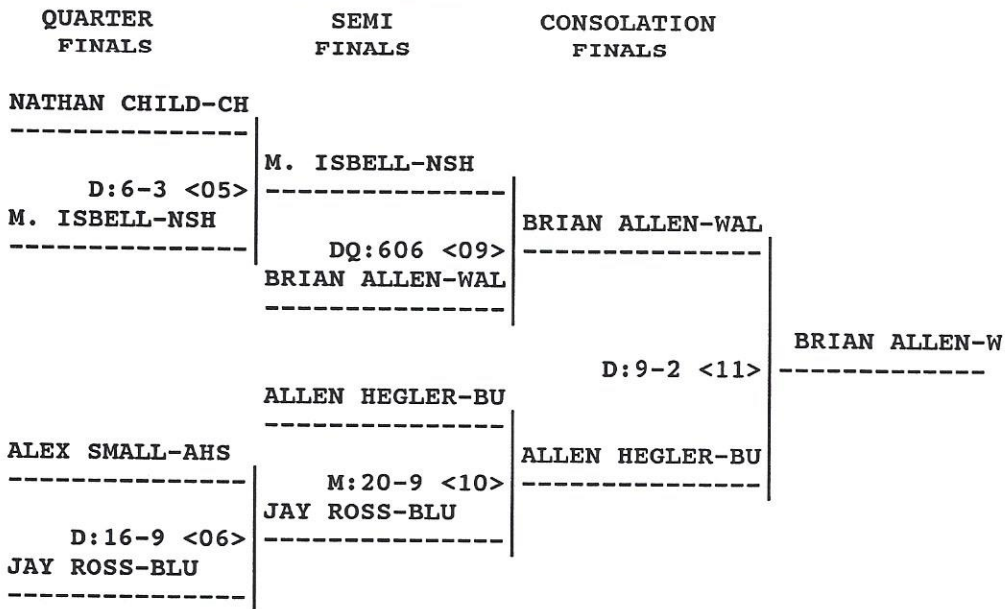
JOHN BLACKMO-BU

C. DURANT-WOD

<CHAMPIONSHIP BRACKET - 171>



<CONSOLATION BRACKET - 171>



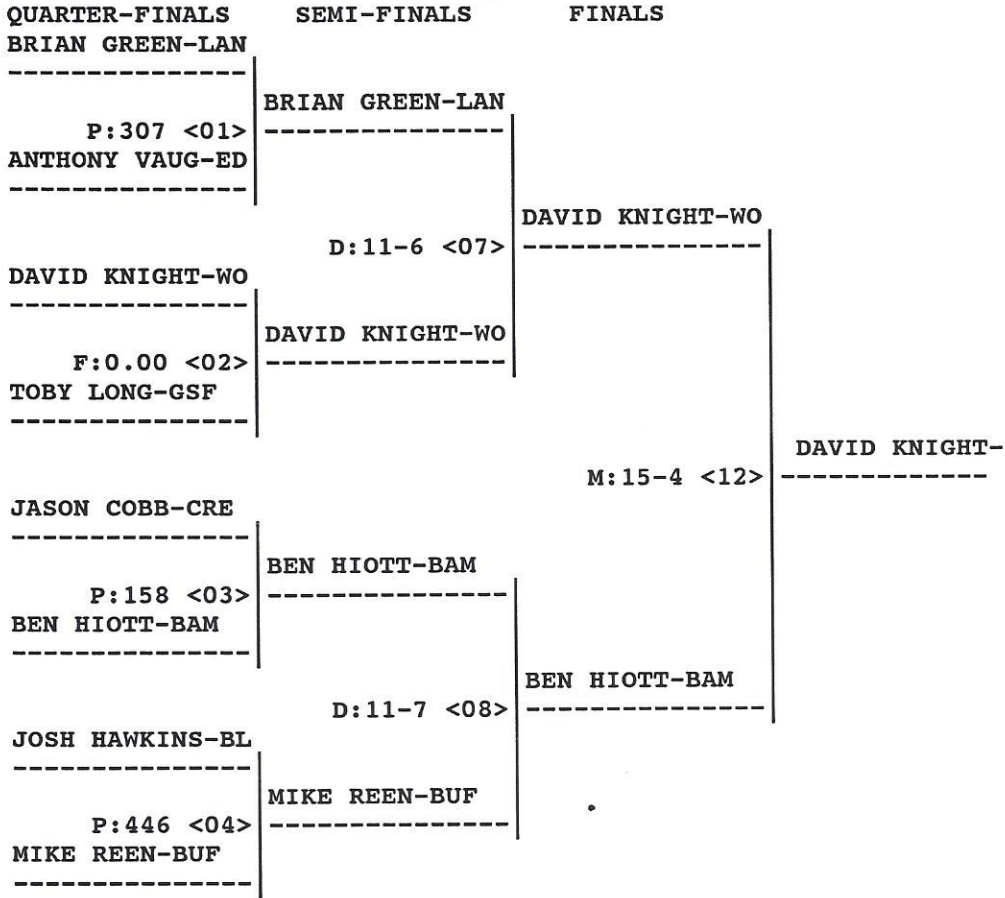
<CHAMPIONSHIP BRACKET - 189>

QUARTER-FINALS	SEMI-FINALS	FINALS
B. STEPHENSO-WA ----- P:255 <01> SERGIO MOTA-SHS -----	B. STEPHENSO-WA ----- D:7-6 <07>	B. STEPHENSO-WA -----
J. TUMBLIN-WOD ----- P:122 <02> G. PLYLER-BUF -----	G. PLYLER-BUF ----- D:11-9 <12>	STEVE COLLIE- -----
R. MURRAY-BLU ----- D:7-4 <03> PATRICK PARA-CH -----	R. MURRAY-BLU ----- D:7-4 <08>	STEVE COLLIE-GS -----
BRONCO MANLE-NS ----- P:345 <04> STEVE COLLIE-GS -----	STEVE COLLIE-GS -----	

<CONSOLATION BRACKET - 189>

QUARTER FINALS	SEMI FINALS	CONSOLATION FINALS
SERGIO MOTA-SHS ----- P:221 <05> J. TUMBLIN-WOD -----	J. TUMBLIN-WOD ----- P:215 <09> R. MURRAY-BLU -----	R. MURRAY-BLU -----
PATRICK PARA-CH ----- D:11-7 <06> BRONCO MANLE-NS -----	G. PLYLER-BUF ----- P:346 <10> PATRICK PARA-CH -----	D:6-4 <11> ----- R. MURRAY-BLU -----

<CHAMPIONSHIP BRACKET - 275>
=====



<CONSOLATION BRACKET - 275>
=====

